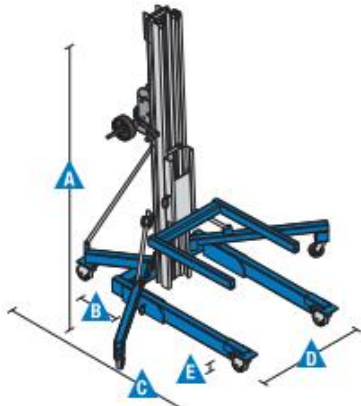

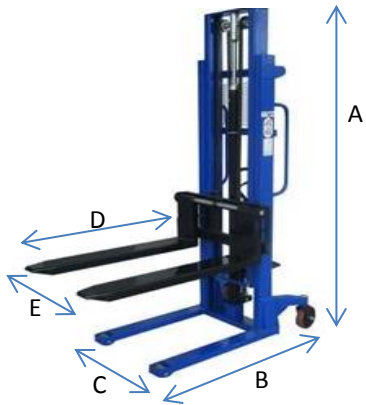


GENIE LIFTS – Manual Telescopic Material Handlers

SPECIFICATIONS	SLA-15	SLA-20	
WORKING HEIGHTS Standard forks – down Standard forks – up Jib Boom (measured ground to bottom of shackle)	4.46m 4.98m 4.76m	5.94m 6.46m 6.25m	
MEASUREMENTS A Height Stowed B Length Stowed C Length Operating D Width Stowed E Width with stabilisers lowered F Ground Clearance – centre G Load Height Minimum	1.99m 0.74m 1.88m 0.80m 1.85m 0.05m 0.15m	1.99m 0.74m 2.08m 0.80m 1.85m 0.05m 0.15m	
LOAD CAPACITY 46cm Load Centre 61cm Load Centre 107cm Load Centre	363kg 363kg 227kg	363kg 272kg 159kg	
WEIGHT Standard Machine Standard Forks Jib Boom	151kg 18kg 18kg	184kg 18kg 18kg	
Heavy Duty Design Patented telescoping mast system Interchangeable load handling attachments Rolls easily through single door in upright position Manoeuvrable 10cm front casters and 13cm rear casters, with 4-way swivel locks and side brakes		Quick Set-up – no tools required Compact design, legs fold up for easy storage Easy to load and unload on/off vehicle Extra roller wheels assist transport laying down Brake secures mast assembly during transport	

HSYC LIFTS – Manual Hydraulic Fork Lift

SPECIFICATIONS	HSYC1030		
WORKING HEIGHTS Minimum Lift Maximum Lift	.85m 3m		
MEASUREMENTS A Height Stowed B Length Stowed C Width Stowed D Fork Length E Width Across Forks	2.1m 1.65m 0.80m 1.14m .55m		
LOAD CAPACITY & MACHINE WEIGHT Standard Machine Weight Maximum Lift	330kg 1,000kg		



Smart Lift Ltd
65 Ward Street, Dunedin
Phone 0508 762 785
www.smartlift.co.nz
info@smartlift.co.nz

